



THE NEW CORONA PAR3 AND PAR4 BORDERLIGHTS OFFER A 3 LIGHT OR A 4 LIGHT VERSION RESPECTIVELY. THESE BORDERS ARE COMPRISED OF INDIVIDUAL CORONA COMPARTMENTS. EACH INDIVIDUAL COMPARTMENT HAS ITS OWN REFLECTOR & COLOR FRAME AND TAKES ITS OWN INDIVIDUAL 8" PAR LENS. IF YOU PREFER TO USE ROUNDELS, WE OFFER THEM SPECIALLY DESIGNED FOR USE IN THIS FIXTURE IN A WIDE BEAM SPREAD. THESE ROUNDELS ARE AVAILABLE IN RED, BLUE, GREEN AND AMBER. THE PAR3S AND PAR4S ARE MANUFACTURED WITH MULTIPLE CIRCUITS AND FEED-THROUGH. YOU NOW HAVE A POWERFUL ALTERNATIVE TO THE R40/PAR38 BORDER.

SPECIFICATION

MECHANICAL DIE-CAST ALUMINUM AND SHEET METAL CONSTRUCTION

GEL FRAME HOLDERS TO ACCEPT 8.5"x9.0" STEEL COLORFRAME

SPRING LATCH GEL-FRAME RETAINER

TRUNNION MOUNT OR L BRACAKET MOUNT

SEALED REFLECTOR HOUSING

TOOL FREE RELAMPING

POWDER COAT FINISH

ELECTRICAL 120/240 VOLTS, 3000 WATT MAXIMUM

36" HIGH TEMPERATURE LEADS IN FIBER GLASS SLEEVE

AXIALLY MOUNTED MEDIUM TWO PIN LAMP HOLDER

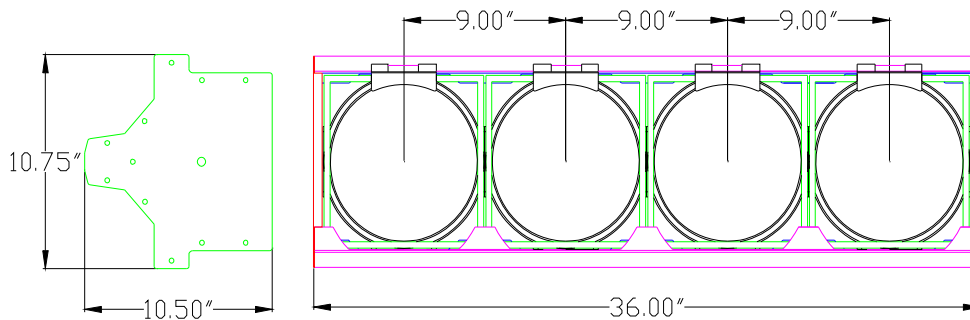
LENSES HEAT RESISTANT LENSES AVAILABLE

- NARROW SPOT (NSP)
- MEDIUM FLOOD (MFL)
- WIDE FLOOD (WFL)
- VERY WIDE FLOOD (VWFL)
- ROUNDEL (WFL) RED, GREEN, BLUE & AMBER

TOOL FREE LENS CHANGE

REFLECTOR PARABOLIC ALUMINUM, COATED AND POLISHED

FIXTURE	UNIT WEIGHT
PAR3	32 LBS.
PAR4	39 LBS.

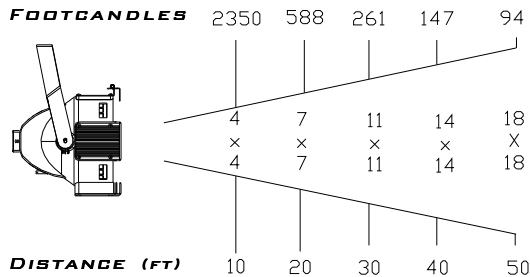


LAMP INFORMATION

LAMP	WATTS	VOLTS	COLOR TEMP.	AVERAGE LIFE	LUMENS
HX400	375	115	3200	300	10,000
HX401	400	115	3050	1500	8,500
FLK	575	115	3200	300	16,500
FLK/LL	575	115	3050	1500	12,800
GLC	575	115	3200	400	15,500
GLA	575	115	3250	300	13,500
GKV	600	230	3200	400	14,500
GLD	750	115	3200	300	19,000
GLE	750	115	3050	1,500	17,400

PHOTOMETRIC DATA FOR EACH CORONA HEAD

NARROW SPOT



CBCP: 235,000

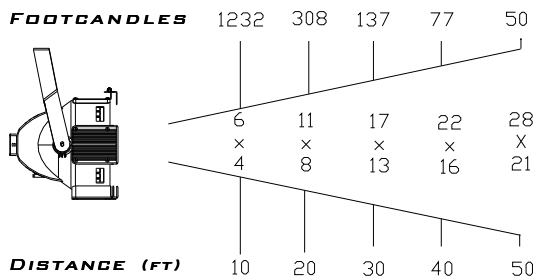
BEAM ANGLE (50% CBCP) 10° x 10°

FIELD ANGLE (10% CBCP) 20° x 20°

TO FIND LIGHT OUTPUT IN FOOTCANDLES (FC) AT ANY DISTANCE:
 $CBCP / (THROW DISTANCE)^2 = FC$

TYPICAL DATA WITH **GLD** 575W LAMP

MEDIUM FLOOD



CBCP: 123,200

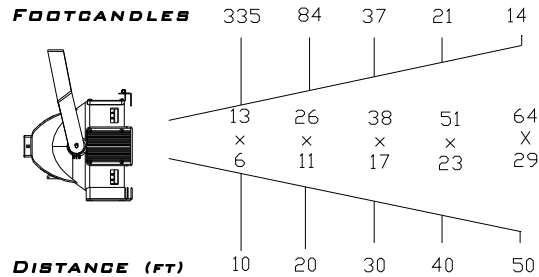
BEAM ANGLE (50% CBCP) 12° x 21°

FIELD ANGLE (10% CBCP) 24° x 31°

TO FIND LIGHT OUTPUT IN FOOTCANDLES (FC) AT ANY DISTANCE:
 $CBCP / (THROW DISTANCE)^2 = FC$

TYPICAL DATA WITH **GLD** 575W LAMP

WIDE FLOOD



HEIGHT (FT)

WIDTH (FT)

CBCP: 33,500

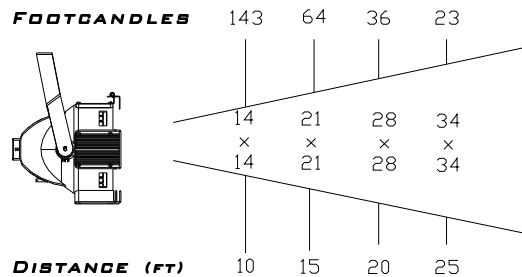
BEAM ANGLE (50% CBCP) 17° x 40°

FIELD ANGLE (10% CBCP) 32° x 56°

TO FIND LIGHT OUTPUT IN FOOTCANDLES (FC) AT ANY DISTANCE:
 $CBCP / (THROW\ DISTANCE)^2 = FC$

TYPICAL DATA WITH **GLC 575W LAMP**

VERY WIDE FLOOD



HEIGHT (FT)

WIDTH (FT)

CBCP: 14,300

BEAM ANGLE (50% CBCP) 53° x 53°

FIELD ANGLE (10% CBCP) 77° x 77°

TO FIND LIGHT OUTPUT IN FOOTCANDLES (FC) AT ANY DISTANCE:
 $CBCP / (THROW\ DISTANCE)^2 = FC$

TYPICAL DATA WITH **GLC 575W LAMP**

ACCESSORIES

321	Color Frame 8.5"x9" (included)
114-7900N	Lens, 8" PAR (NSP)
114-7900M	Lens, 8" PAR (MFL)
114-7900W	Lens, 8" PAR (WFL) (included)
114-7900VW	Lens, 8" PAR (VWFL)
114-7900W-Color	Roundel, 8" PAR (WFL) R,G,B,A
HangTuff	C Clamp - aluminum (with integral safety cable)
Get-A-Grip	C Clamp - aluminum
103-0533	Safety Cable



LIGHTING & ELECTRONICS, INC.

MARKET STREET INDUSTRIAL PARK WAPPINGERS FALLS, NY 12590
 (845) 297-1244 FAX (845) 297-9270 WWW.LE-US.COM